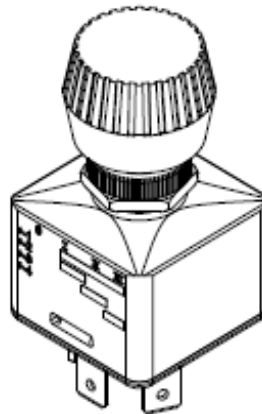
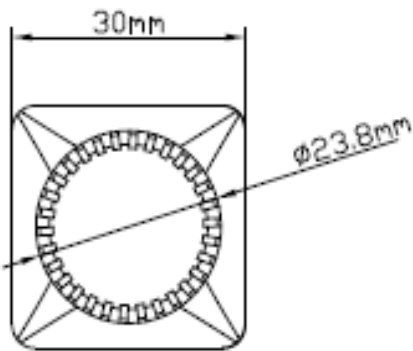


**Merit Part No. MT10 259009
Off/On/On/On Rotary Switch**

**SP3T Position operations with flat knob
Amperage Rating 20A at 12V, 10A at 24V
Mounting Opening 12.5 mm dia.**



	0	I	II	III
+1		■	■	■
+2		■	■	■
+3			■	■
+4				■

