

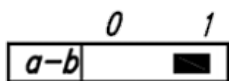
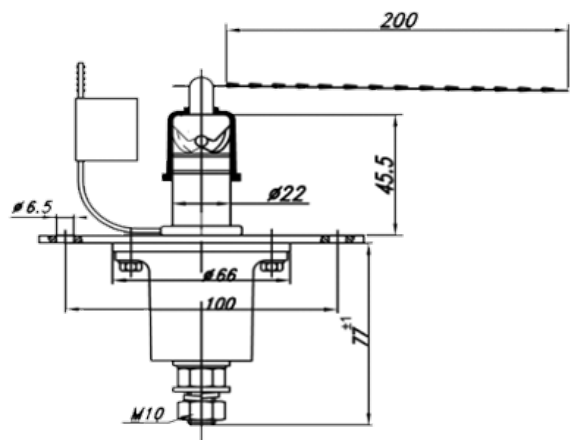
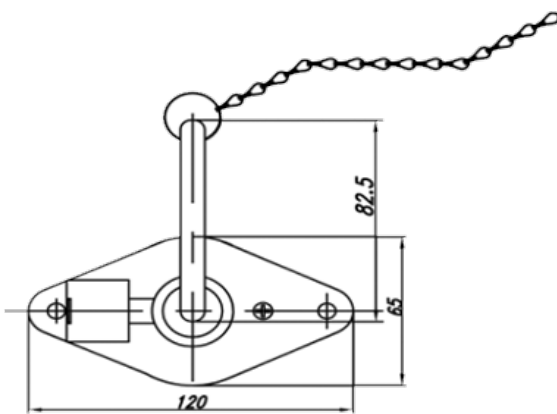


HEAVY DUTY MAIN SWITCHES

Heavy duty battery master

Merit Part No.
MT10 328800

- With removable key for trucks and buses
- With 2500 A



IP 66
MAX.24V
MAX.2250 A
2500A/5 SEC